



Epiphone

performance is our passion

Owners Manual



"Epi" Stathopoulos

The Epiphone Story

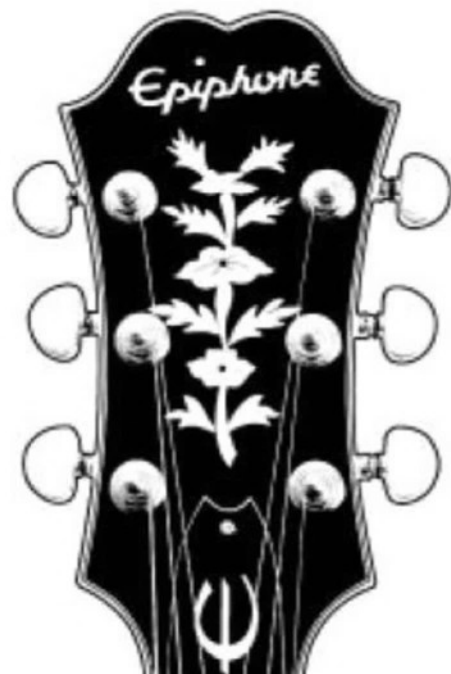
Late in the 19th century, a Greek luthier and violin maker named Anastasios Stathopoulos moved his family to New York in search of a better life. He found it - and built a company that became one of the greatest names in instruments.

The "House of Stathopoulos" was opened in 1873 and Anastasios brought his 17 year old son, Epaminodas (also known as "Epi"), into the company in 1910. "Epi" and his father soon named some of their new instruments Epiphone and the legend began.

After 47 years of Epiphone production, Gibson USA acquired the rights to the Epiphone name in 1957 and began to build Epiphones in 1959. Under the guidance of Gibson USA, Epiphone continued to set new standards for quality, value and innovation.

Today headquartered in Nashville, Tennessee, Epiphone continues to design and set rigid quality and performance standards for each and every Epiphone instrument.

Every Epiphone employee is committed to producing the finest musical instruments available and ultimate customer satisfaction. The Epiphone mark is a symbol of that commitment and your assurance that this Epiphone will give you years of trouble-free enjoyment.



Care and Maintenance

We recommend that you always keep your instrument in a case when transporting or storing it. This reduces the possibility of damage due to nicks, jams, and sudden changes in climate or atmosphere.

Carry the case with the lid towards your body. In the event that you have not properly fastened the latches and the case opens, the lid will fall against your leg and prevent the instrument from falling on the ground. Never leave your instrument in the trunk of your car or store it in a place of extreme temperatures and humidities. Never place anything on top of your guitar while in the case.

Perspiration or water can damage the finish of your instrument so always wipe down your guitar after playing or before storing with a clean soft cloth. Polishing it with some high gloss guitar polish or a good quality carnauba wax polish will prolong the durability of the finish.

When using a shoulder strap for standing playing position, check that all contact points and strap fasteners are secure.

Avoid sharp blows to any part of your instrument. Be particularly alert to possible blows to the back of the headstock, machine heads (tuners), and the neck heel area. Many headstock breaks are the result of the guitar being knocked over while being temporarily stored on a guitar stand, or while still in the case. Do not stand the guitar case on its end.

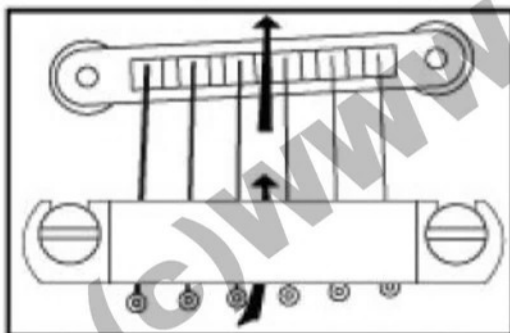
Should major adjustments become necessary, contact your local authorized Gibson/Epiphone dealer or service center.



Restringing Your Instrument

Fresh strings are a vital part of that "new instrument" sound. When strings begin to go dead, a guitar loses its edge, and as the strings undergo further wear and tear they go "dead." Your Epiphone will sound its best with new strings. How much you play and individual body chemistry determine how often to change strings. For some players, even light perspiration shortens string life. The sound of the strings is the only sure way to judge whether or not they need to be changed. And if one string needs to be changed, the others can't be far behind. To maintain tonal balance, change the whole set.

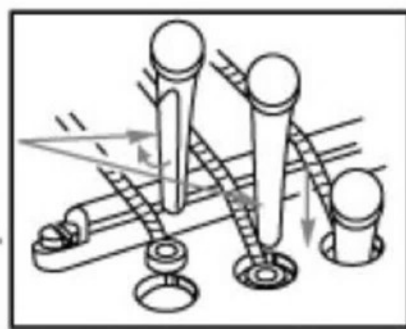
Proper string installation is critical to the playability of your instrument. An incorrectly installed string can slip and cause the instrument to go out of tune. When changing strings, we recommend changing one string at a time in order to maintain tension on the neck and bridge. The pressure of the strings holds the bridge and saddles in place, and removing all the strings could necessitate a new setup.



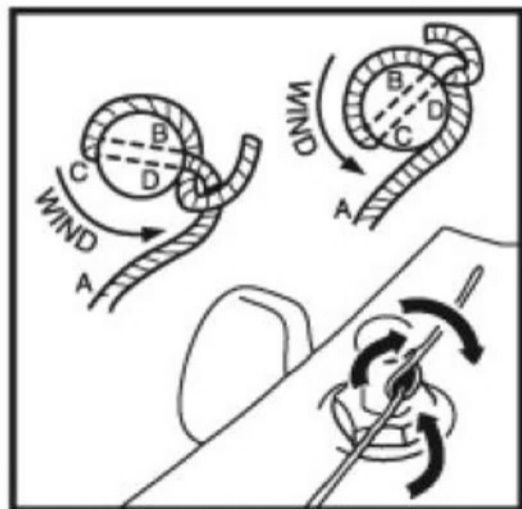
Bridge Stringing - Tune-o-matic/Stopbar

1. At the Bridge

The bridge end of the instrument is strung as shown in the images at left and right. Different instruments are strung according to the bridge and string type. The bridge end is always strung *before* the string posts at the headstock.



Bridge Stringing - Acoustic
(Notch should face the headstock)



Tuner Post Stringing

2. At the Headstock

Bring the string from the bridge to the post on the corresponding tuner located on the headstock. Put string (A) through the hole or slot in the post at (B) to (C); around the upper side of the post (D), and under the string (A) at (B), back again around the string post (D). Now when you wind the string, it will lock itself against the post as shown in the image at left called "Tuner Post Stringing."

Tuning Your Instrument

Many individuals have their own method of tuning their instrument. We recommend the following method. An Epiphone guitar is tuned to A-440; utilizing a tuning fork, electronic tuner or pitch pipe.

The following chart shows how different instruments are tuned. The first string, for this purpose, is considered to be the smallest diameter. Tune the two outside strings first, then tune towards the center. This equalizes the pressure on the bridge and allows rapid tuning. Check intonation.

Guitar					
6th	5th	4th	3rd	2nd	1st
E	A	D	G	B	E

Bass			
4th	3rd	2nd	1st
E	A	D	G



Intonation and Saddle Adjustment for a Tune-o-matic Bridge

Your Tune-o-matic Bridge equipped Epiphone guitar comes to you pre-adjusted. But several adjustment options are available to you.

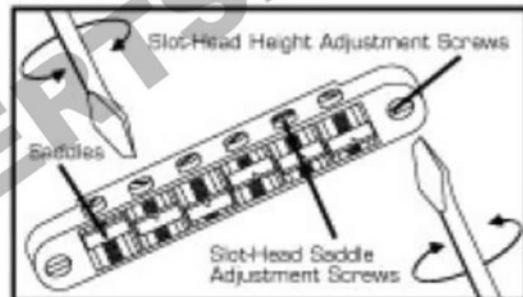
1. String Height or Action *

The height adjustment of the bridge can be set by using the two slot-head screws on either side of the Tune-o-matic Bridge. Turn clockwise to lower, counter-clockwise to raise.

2. Adjusting The Intonation *

Intonation adjustment is usually only necessary when different gauge strings are fitted (it can also be affected by the angle of a tremolo unit). The saddle positions are adjusted by the individual slot-head screws located on the front of the bridge, sliding the saddles forward or backward. To check the intonation: Use an electronic tuner and tune the guitar to a standard pitch. **NOTE: All Epiphone guitars use A-440 for standard pitch. Play the harmonic at the 12th fret, compare it to the fretted note at the 12th fret, these notes should read the same on the tuner.** Before adjusting the intonation, first determine the direction that the saddle needs to be moved. If the 12th fret harmonic pitch is lower than the fretted note, slide the saddle back. If the 12th fret harmonic pitch is higher than the fretted note slide the saddle forward.

** (Adjusting intonation and string height will affect the playability of your guitar. If you are unsure of any of the above operations please take your guitar to an Authorized Epiphone Dealer or experienced guitar technician.)*



Action Adjustment

Action is the distance that a string must be depressed before it meets the fret. Action measurements are taken in 64th's of an inch, and are calculated from the top of the 12th fret to the underside of the string. We set the action on all instruments at the factory to the optimum playability setting. On occasion, lower than standard settings are desired by the player. This can be achieved by adjusting the bridge studs (*See Tune-o-matic Bridge*). Lower than standard action can often result in "buzz" or "rattle". This is caused by the string vibrating against the fret. Buzz or rattle caused by lower than standard action is not considered a defect of the instrument.

For action at the 1st fret, all instruments are set at the same height. Treble strings are set to 1/64" and the action progresses up to 2/64" for the bass strings. Be sure that the truss rod is properly adjusted before setting action.

Action at the 12th fret		
	Treble Side	Bass Side
Electric Guitars	4/64	6/64
Acoustic Guitars	5/64	7/64
Bass Guitars	5/64	7/64

Trussrod Adjustment

All guitar necks are subject to great stress as a result of string tension, humidity or changes in climate. Occasionally there are times when the neck may need adjustment. The truss rod is adjustable at the headstock, using an Allen wrench or an adjustment wrench. **NOTE:** *This adjustment should be performed periodically and only by qualified repair personnel. Over adjustment can result in damage to the instrument.*



Humbucking & Single-Coil Pickups

Humbucking (double-coil)

Most Epiphones have double-coil humbucking pickups, which were designed to do what the name says: "buck" the hum caused by fluorescent lights, rheostats, and other electric interference. They accomplish this with two coils of wire, wound in opposite directions so they cancel out interference. Also, they produce a powerful sound that is the foundation of rock 'n' roll music.

Epiphone pickups are made to produce a variety of subtle variations, achieved by the use of different magnets, different combinations of winding turns and with or without covers. In addition, some of our instruments are equipped with Gibson USA Humbuckers. For individual model and pickup specs, please refer to Epiphone's website, www.epiphone.com.

P-90 (single-coil)

Certain Epiphone models are equipped with single-coil P-90 pickups. Some have the original "dog eared" covers: those without the "dog ears" are nicknamed "soapbar" because the original cream-colored plastic covers on the 1952 Gibson Les Paul resembled bars of soap. When the P-90 was introduced in 1946, it was the most powerful pickup of its kind. And it still is. For individual model and pickup specs, please refer to Epiphone's website, www.epiphone.com.

Pickup Adjustments

Although the pickups on each Epiphone are set to Epiphone standards at the factory, they can be adjusted. The height of the pickup can be adjusted by the two screws found at either end of the pickup mounting ring. Individual string volume can be adjusted by turning the polepiece screws. Bringing the pickup or individual pole screws closer to the strings makes the signal stronger or "hotter."

Control Knobs and Switches

The standard Epiphone electronic configuration is two pickups, four knobs, and a pickup selector switch. The four knobs provide individual tone and volume control for each pickup. Models with only three knobs provide individual volume and master tone control. Single pickup models have only two knobs - for volume and tone control - and no pickup selector.

Your Epiphone electric guitar is capable of producing a variety of sounds by manipulating the controls.

Volume Controls

The volume knob on all Epiphone models controls the amount of volume each pickup is putting out. Turning the control clockwise produces more volume. Turning the control counterclockwise produces less volume.

Tone Controls

The tone controls on all models are "Treble Cut" controls. This means that as you turn the knob counterclockwise you reduce the treble output of that pickup and produce a darker tone. Turning the control fully clockwise will produce the brightest sound. This means the pickup's full range of harmonic frequencies are being passed on to your amplifier.

Selector Switch

The Selector Switch permits you to turn pickups on and off. On most guitars with two pickups, the middle position turns both pickups on. When the switch is "up" the neck or "Rhythm" pickup only is turned on. When the switch is "down" only the bridge or "Treble" pickup is turned on.



Control Layouts

(Two Pickup, Two Volume, Two Tone and Pickup Selector)



Neck Pickup (*Rhythm*)

Bridge Pickup (*Treble*)

Pickup Selector Switch

Up-*Rhythm* Middle-*Both* Down-*Treble*

Bridge Pickup Volume (*Treble*)

Neck Pickup Volume (*Rhythm*)

Bridge Pickup Tone (*Treble*)

Neck Pickup Tone (*Rhythm*)

Shown: *Casino*[™]

Control Layouts

(Two Pickup, Two Volume - Push/Pull
Coil-Tapping, Two Tone and
Pickup Selector)

Pickup Selector Switch

Up-Rhythm *Middle-Both* *Down-Treble*

Neck Pickup (*Rhythm*)

Bridge Pickup (*Treble*)

Bridge Pickup Volume (*Treble*)
with Push/Pull Coil-Tapping

Neck Pickup Volume (*Rhythm*)
with Push/Pull Coil-Tapping

Bridge Pickup Tone (*Treble*)

Neck Pickup Tone (*Rhythm*)

*Shown: Les Paul® Standard
Plustop PRO*



Control Layouts

(Three Pickup, One Volume,
One Tone - Push/Pull Coil-Tapping,
and 5-way Pickup Selector)

Neck Pickup (*Rhythm*)

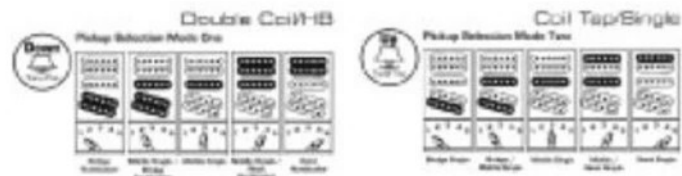
Middle Pickup

Bridge Pickup (*Treble*)

Master Volume

Master Tone
with Push/Pull Coil-Tapping

5-way Pickup Selector Switch



Shown: Nighthawk® Custom

Control Layouts

(Two Pickup, One Volume, One Tone and Pickup Selector)



Neck Pickup (*Rhythm*)

Bridge Pickup (*Treble*)

Pickup Selector Switch

Up-Rhythm Middle-Both Down-Treble

Neck Pickup Volume (*Rhythm*)

Bridge Pickup Volume (*Treble*)

Master Tone

Shown: '58 Korina Flying V™



Control Layouts (Two Pickup, Two Volume, Master Tone and Master Volume and Pickup Selector)

Pickup Selector Switch
Up-Rhythm Middle-Bath Down-Treble

Master Volume

Neck Pickup (*Rhythm*)

Bridge Pickup (*Treble*)

Bridge Pickup Volume (*Treble*)

Neck Pickup Volume (*Rhythm*)

Master Tone

Shown: WildKat™

Control Layouts

(Two Pickup, One Volume,
One Tone with Killpot™ and
Pickup Selector)

Neck Pickup (*Rhythm*)

Bridge Pickup (*Treble*)

Volume Control

Pickup Selector Switch
Up-*Rhythm* Middle-*Both* Down-*Treble*

Tone Control with Killpot™

Shown: SG™ Special



Control Layouts

(Two Pickup, One Volume, One Tone and Pickup Selector)



Control Layouts

(Two Pickup, One Volume,
Pickup Blend, Master Tone and
Active Tonexpressor™)

Neck Pickup (*Rhythm*)

Bridge Pickup (*Treble*)

Master Volume

Pickup Blend with center detent

Active Tonexpressor™ (*Deluxe*),

Treble Cut (*Standard*)

Master Tone (*Deluxe*),

Bass Cut (*Standard*)

Shown: *Toby™ Deluxe IV Bass*



Warranty Registration

Visit www.epiphone.com and select **SUPPORT** then **WARRANTY REGISTRATION**.

Important: Warranties are extended to the original retail purchaser only and may not be transferred or assigned to subsequent owners. In order to validate your warranty, and as a condition precedent to warranty coverage, you must complete the on-line registration within fifteen (15) days following the original date of purchase.

Visit **www.epiphone.com** for complete warranty details and further information.

Warranty Instrument: Your new Epiphone instrument carries a *Limited Lifetime Warranty**. For details and limitations visit www.epiphone.com.

Warranty Amplifier: Your new Epiphone amplifier carries a *Limited 3-Year Warranty**. For details and limitations visit www.epiphone.com.

Returns: All Epiphone products are guaranteed and backed by Gibson Musical Instruments' legendary 24 hours, 7 days a week, 365 days a year Customer Service.

All returns must be issued a **Return Authorization Number** by Customer Service **BEFORE** shipment. If for any reason you have questions, need help, or think you need to return your product, please contact Gibson Customer Service.

You may contact us by email at:

- **USA Email:** Service@gibson.com
- **Europe Email:** Service.Europe@gibson.com
- **Japan Email:** Service.Japan@gibson.com
- **China Email:** Service.China@gibson.com

You may also reach us by phone at:

- **USA Phone:** 1-800-4GIBSON (1-800-444-2766)
- **Europe Phone:** 00+8004GIBSON1 (00+800-444-2766-1)
- **China Phone:** 1-800-820-8841

You may also instant message us at:

AOL Instant Messenger, Yahoo! Messenger, & MSN Messenger users can IM Gibson Customer Service at **customer.service1@gibson.com**

Don't Forget to Join Us On-Line!

Please join us on the Gibson Forums at <http://forums.gibson.com>. The Gibson Forums are provided for Gibson Fans to share opinions and information about all of the brands in the Gibson family.

* Void where prohibited by law.



English

Disposal of Old Electrical & Electronic Equipment (Applicable in the European Union and other European countries with separate collection systems)



This symbol on the product or on its packaging indicates that this product shall not be treated as household waste. Instead it shall be handed over to the applicable collection point for the recycling of electrical and electronic equipment. By ensuring this product is disposed of correctly, you will help prevent potential negative consequences for the environment and human health, which could otherwise be caused by inappropriate waste handling of this product. The recycling of materials will help to conserve natural resources. For more detailed information about recycling of this product, please contact our local city office, your household waste disposal service or the shop where you purchased the product.

Francais

Traitement des appareils électriques et électroniques en fin de vie (Applicable dans les pays de l'Union Européenne et aux autres pays européens disposant de systèmes de collecte sélective)



Ce symbole, apposé sur le produit ou sur son emballage, indique que ce produit ne doit pas être traité avec les déchets ménagers. Il doit être remis à un point de collecte approprié pour le recyclage des équipements électriques et électroniques. En s'assurant que ce produit est bien mis au rebut de manière appropriée, vous aiderez à prévenir les conséquences négatives potentielles pour l'environnement et la santé humaine. Le recyclage des matériaux aidera à conserver les ressources naturelles. Pour toute information supplémentaire au sujet du recyclage de ce produit, vous pouvez contacter votre municipalité, votre déchetterie ou le magasin où vous avez acheté le produit.

Deutsch

Entsorgung von gebrauchten elektrischen und elektronischen Geräten (Anzuwenden in den Ländern der Europäischen Union und anderen europäischen Ländern mit einem separaten Sammelsystem für diese Geräte)



Das Symbol auf dem Produkt oder seiner Verpackung weist darauf hin, dass dieses Produkt nicht als normaler Haushaltsabfall zu behandeln ist, sondern an einer Annahmestelle für das Recycling von elektrischen und elektronischen Geräten abgegeben werden muss. Durch Ihren Beitrag zum korrekten Entsorgen dieses Produkts schützen Sie die Umwelt und die Gesundheit Ihrer Mitmenschen. Umwelt und Gesundheit werden durch falsches Entsorgen gefährdet. Materialrecycling hilft den Verbrauch von Rohstoffen zu verringern. Weitere Informationen über das Recycling dieses Produkts erhalten Sie von Ihrer Gemeinde, dem kommunalen Entsorgungsbetrieb oder dem Geschäft, in dem Sie das Produkt gekauft haben.

Nederlands

Verwijdering van Oude Elektrische en Elektronische Apparaten (Toepasbaar in de Europese Unie en andere Europese landen met gescheiden ophaalsystemen)



Het symbool op het product of op de verpakking wijst erop dat dit product niet als huishoudafval mag worden behandeld. Het moet echter naar een plaats worden gebracht waar elektrische en elektronische apparatuur wordt gerecycled. Als u erop zorgt dat dit product op de correcte manier wordt verwijderd, voorkomt u mogelijk voor mens en milieu negatieve gevolgen die zich zouden kunnen voordoen in geval van verkeerde afvalbehandeling. De recycling van materialen draagt bij tot het vrijmaken van natuurlijke bronnen. Voor meer details in verband met het recyclen van dit product, neemt u het best contact op met de gemeentelijke instanties, het bedrijf of de dienst belast met de verwijdering van huishoudafval of de winkel waar u het product hebt gekocht.

Slovensky

Likvidácia starých elektrických a elektronických zariadení (Platí v Európskej únii a ostatných európskych krajinách so zavedeným separovaným zberom)



Tento symbol na výrobku alebo obale znamená, že s výrobkom nemôže byť nakladané ako s domovým odpadom. Miesto toho je potrebné ho donútiť do vyhradeného zberného miesta na recykláciu elektrozariadení. Tým, že zaistíte správne zneškodnenie, prispôjete zabrániť potenciálnemu negatívnemu vplyvu na životné prostredie a ľudské zdravie, ktoré by v opačnom prípade vzniklo pri nesprávnom nakladaní s týmto výrobkom. Recyklácia materiálov pomáha uchovávať prírodné zdroje. Pre získanie ďalších podrobných informácií o recyklácii tohoto výrobku kontaktujte prosím váš miestny alebo obecný úrad, miestnu službu pre zber domového odpadu alebo predajcu, kde ste výrobok zakúpili.

Magyarul

Felhasználás utáni elektromos és elektronikus készülékek hulladékként való elhelyezése (Használható az Európai Unió és egyéb európai országok szelektív hulladékgyűjtési rendszerében)



Ez a szimbólum a készüléken vagy a csomagoláson azt jelzi, hogy a terméket ne kezelje háztartási hulladékként. Kérjük, hogy az elektromos és elektronikus hulladék gyűjtésére kijelölt gyűjtőhelyen adja le. A felhasználás utáni termékek helyes kezelésével segít megőrizni a környezetet és az ember egészségét károsodást, mely bekövetkezhetne, ha nem követi a hulladék kezelés helyes módját. Az anyagok újrahasznosítása segít a természeti erőforrások megőrzésében. A termék újrahasznosítása érdekében további információért forduljon a helyi szinten az illetékesekhez, a helyi hulladékgyűjtő szolgálatához vagy ahhoz az üzlethez, ahol a terméket megvásárolta.



Built to perform, night after night

For over 130 years, Epiphone has been passionately designing and building guitars and basses built to perform. You can count on Epiphone to give you time-tested designs, top-quality electronics and consistent performance.

Angled Headstock - Unlike less costly designs, all Epiphone instruments feature a 14 degree headstock that gives you more pressure at the nut so you get more sustain with less tuning hang-ups caused by "string-tree" gadgets.

Quick-Connector - For unequalled reliability as well as ease of service, Epiphone wiring harnesses feature quick-connectors.

All-Metal Toggle Switch - Proven for years to be the most reliable, our all-metal toggle switches use rugged spring-steel contacts to ensure years of reliable service and performance.

Locking Tune-o-matic™/Stopbar - Fully adjustable, the Tune-o-matic remains a classic after over 50 years. And now our updated, patent pending design, AUTO-LOCKS the bridge and tailpiece in place with no tools needed! Unlike guitars fitted with tremolos, there are no tuning or restringing hangups. Tone and sustain are improved because all string vibrations are transferred directly to the guitar.

Full-Size Potentiometers - We're passionate about performance. That's why our instruments use 1" diameter potentiometers for better "throw", longer life and reliable service.

"No Spin" Output Jack - To increase reliability and ensure consistent performance, our proprietary output jacks feature a "no spin" design and improved contact shape with heavy-duty spring steel.

Grover™ Machine Heads - All Epiphone guitars and basses feature premium, precision tuners for ease of use, excellent tuning stability and long life.



For Your Records

Congratulations on owning your new Epiphone product. For your own records, should you ever need to identify your product for warranty or insurance purposes, please fill in the following:

Model _____

Serial Number _____

Finish _____ Date Purchased _____

Dealer Address _____

Dealer Phone _____





EPIPHONE

**Guitars
Amplifiers**

WORLD-FAMOUS
QUALITY
SINCE
1873

The Epiphone Company • a part of the Gibson family of brands
645 Massman Drive • Nashville, Tennessee 37210 USA
www.epiphone.com

Epiphone

performance is our passion